

Adjuster Type Caster

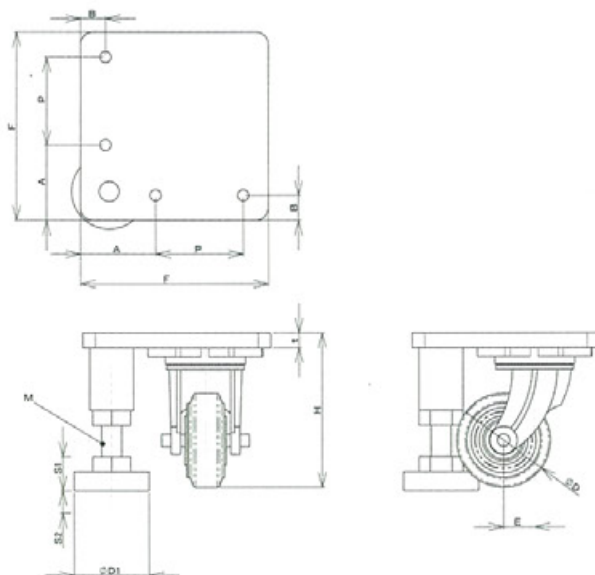
Adjuster Type Caster

TCALZ

Product Details

TCALZ-M Series (Adjuster Type Caster)

- (1) The adjuster is integrated with the caster.
- (2) Easy to transport and install.
- (3) Suitable for equipment requiring a horizontal degree.
- (4) Suitable for vending machines and measuring instruments.



unit:mm

Type	Material	D	E	H	F	t	A	P	B	d	D ₁	M	S ₁	S ₂	Load capacity of the wheel	Load capacity of the adjusters	
TCALZ-R	Rubber	75	26	124.5	150	9	60	70	20	9	60	M16	20	18	R	700N	3600
TCALZ-U	Urethane														U	1600N	
TCALZ-Z	Casting														Z	1400N	
TCALZ-M	MC Nylon														M	1600N	

Machine Pad TJH Series

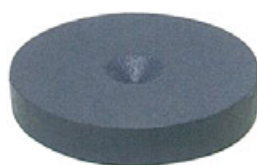
TJH-M TJH-K TJH-A

Standard Type

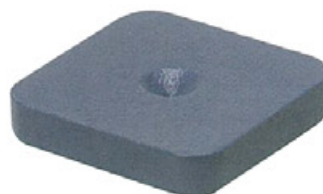
Product Details

TJH-A Series

- (1) Easy to set up.
- (2) The size and shape can be chosen according to weight.
- (3) Absorbs vibration because it is made of metal.
- (4) Because it is a standard product, it is reasonable.
- (5) Can be used for the pad of a vending machine and processing machinery.



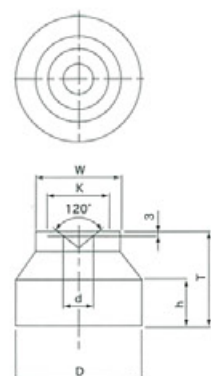
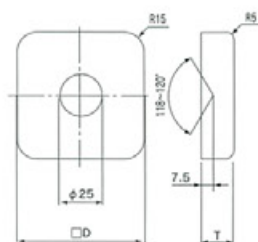
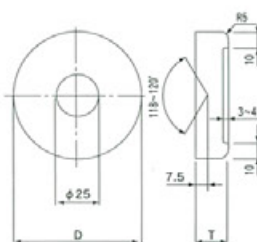
TJH-M



TJH-K



TJH-A



unit:mm

TYPE	D	T	Load capacity	Mass (g)
TJH-M	60	20	5.6	360
		30	14.8	560
	80	20	5.6	600
		30	14.8	990
		50	46.2	1720
		20	5.6	950
100	30	14.8	1560	
	50	46.2	2680	

unit:mm

TYPE	D	T	Load capacity	Mass (g)
TJH-K	80	20	10.8	880
		30	24.5	1310
	100	50	68.5	2260
		20	10.8	1350
150	30	24.5	2050	
		50	68.6	3400
	20	10.8	3210	
		30	24.5	4620

unit:mm

TYPE	D	T	K	d	W	h	Load capacity	Mass (g)
TJH-A	80	60	30	20	60	30	10	1460
	100	80	40			38		2150

※ Load capacity is for reference purposes.